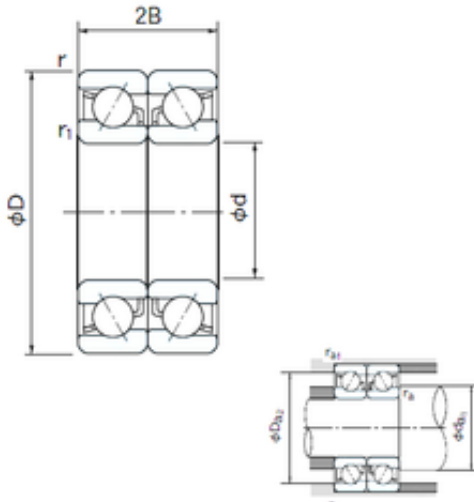




# MNT BEARING LTD

## 85 mm x 150 mm x 28 mm NACHI 7217BDB Angular contact ball bearing

Bearing No. 7217BDB



7217BDB Bearing 2D drawings and 3D CAD models

Size	85x150x28 mm
Bore Diameter	85 mm
Outer Diameter	150 mm
Width	28 mm
d	85 mm
D	150 mm
B	28 mm
C	28 mm
Angle ( ° )	40 °
a	35.4 mm
r min.	2 mm
r1 min.	1 mm
2B	56 mm
da min.	91 mm
Da max.	144 mm
ra max.	1 mm
Weight	1.87 Kg
Basic dynamic load rating (C)	159 kN
Basic static load rating (C0)	168 kN
(Grease) Lubrication Speed	2600 r/min
Bore Type	Cylindrical Bore
Enclosure	Open
Configuration	Duplex
Bore Size	85 mm
Outside Diameter	150 mm



## MNT BEARING LTD

Width	28 mm
Fillet Radius/Chamfer	2 mm
r1	1 mm
Dynamic Load Rating	159,000 N
Static Load Rating	168,000 N
Limiting Speed - Grease	2,600 rpm
Limiting Speed - Oil	3,800 rpm
da1 (min)	95 mm
da2 (min)	91 mm
Da1 (max)	140 mm
Da2 (max)	144 mm
ra (max)	2 mm
ra1 (max)	1 mm