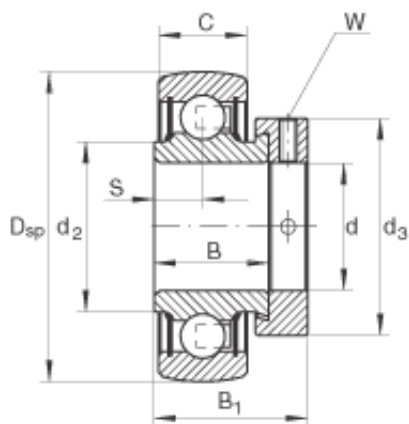




MNT BEARING LTD

INA RAE12-NPP-B Ball bearing



Bearing No. RAE12-NPP-B

Size	12x40x28.6 mm
Bore Diameter	12 mm
Outer Diameter	40 mm
Width	28,6 mm
d	12 mm
D _{SP}	40 mm
B ₁	28,6 mm
B	19 mm
C	12 mm
d ₂	23 mm
d _{3 max}	28 mm
S	6,5 mm
W	3 mm
m	0,13 kg / Weight
C _r	10100 N / Dynamic load rating (radial)
C _{0r}	4750 N / Static load rating (radial)
Category	Insert Bearings Spherical OD
Inventory	0.0
Manufacturer Name	SCHAEFFLER GROUP
Minimum Buy Quantity	N/A
Weight / Kilogram	0.144
Product Group	M06110
Inner Race Profile	Narrow Inner Ring
Outer Race Profile	Spherical

RAE12-NPP-B Bearing 2D drawings and 3D CAD models



MNT BEARING LTD

Relubricatable	No
Seal Type	Double Lip Contact
Mounting Method	Eccentric Collar
Rolling Element	Ball Bearing
Snap Ring	No
Long Description	12MM Bore; Narrow Inner Ring; Ball Bearing; 28.6MM Length Thru Bore; 12MM Outer Race Width; 40MM Outside Diameter; Not Relubricatable; Double Lip Contact Seal; Eccentric Collar Mounting Method; No Sna
Inch - Metric	Metric
Other Features	Single Row Metric
Category	Insert Bearings
UNSPSC	31171536
Harmonized Tariff Code	8482.10.50.00
Noun	Bearing
Keyword String	Insert
Manufacturer URL	http://www.ina.com
Manufacturer Item Number	RAE12NPPB
Weight / LBS	0.287
Length Thru Bore	1.126 Inch 28.6 Millimeter
Outside Diameter	1.575 Inch 40 Millimeter
Outer Race Width	0.472 Inch 12 Millimeter
Bore	0.472 Inch 12 Millimeter