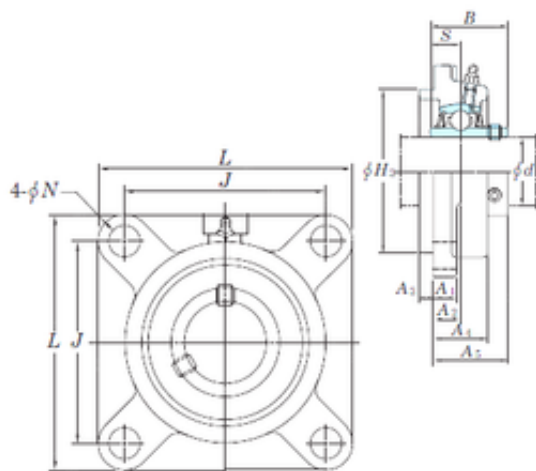




# MNT BEARING LTD



## KOYO UCFS321 Bearing unit

Bearing No. UCFS321

Bore Diameter	105 mm
d	105 mm
H3	260 mm
A4	74 mm
A5	107 mm
A1	32 mm
B	112 mm
J	242 mm
L	310 mm
N	38 mm
S	44 mm
Bolt (G)	M33
A2	39 mm
A3	20 mm
Weight	32,7 Kg
Basic dynamic load rating (C)	184 kN
Basic static load rating (C0)	153 kN
Bearing No.	UCFS321
Bolt size	M33
Cr	184
C0r	153
f0	13.2
(Refer.)Unit mass(kg)	32.7
Nipple size	R1/8

UCFS321 Bearing 2D drawings and 3D CAD models