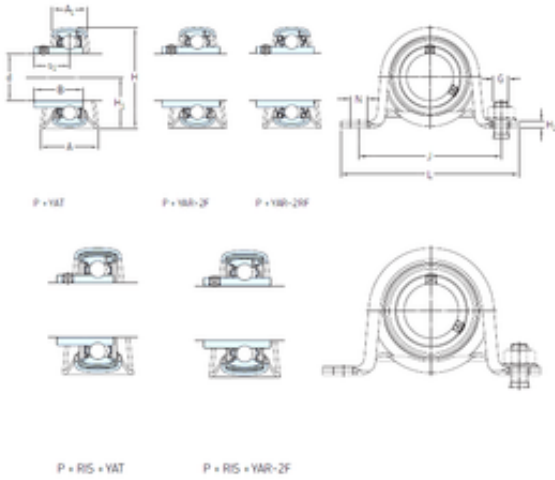




MNT BEARING LTD



SKF P 20 FM Bearing unit

Bearing No. P 20 FM

Bore Diameter	20 mm
d	20 mm
s1	23,5 mm
A	32 mm
A1	21 mm
B1	31 mm
G	8 mm
H	50 mm
H1	25,2 mm
H2	3 mm
J	76 mm
L	99 mm
N	9,6 mm
Weight	0,24 Kg
Basic dynamic load rating (C)	12,7 kN
Basic static load rating (C0)	6,55 kN
Housing material	Pressed steel
A ₁	21 mm
B ₁	31 mm
H ₁	25.3 mm
H ₂	3 mm
s ₁	24 mm
Basic dynamic load rating C	12.7 kN
Basic static load rating C ₀	6.55 kN
Fatigue load limit P _u	0.28 kN
Permissible radial housing	1.7 kN

P 20 FM Bearing 2D drawings and 3D CAD models



MNT BEARING LTD

load max.	
Limiting speed	8500 r/min
Mass bearing unit	0.27 kg
Thread grub screw G ₂	M6x0.75
Hexagonal key size for grub screw N	3 mm
Recommended tightening torque for grub screw	4 N · m
Recommended diameter for attachment bolts, mm G	8 mm
Recommended diameter for attachment bolts, inch G	0.3125 in