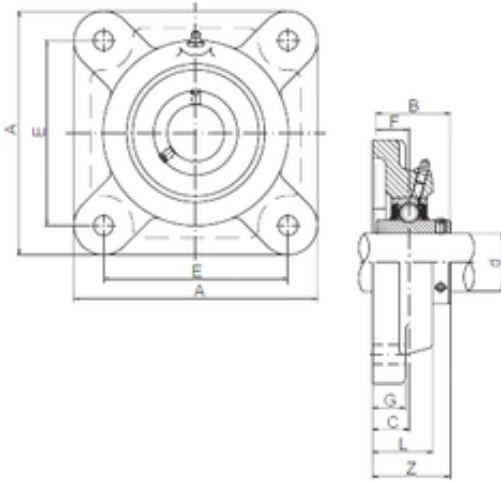




MNT BEARING LTD



ISO UCF218 Bearing unit

Bearing No. UCF218

Bore Diameter	90 mm
Width	96 mm
d	90 mm
Z	96,3 mm
A	235 mm
B	96 mm
C	40 mm
E	187 mm
F	39,7 mm
G	24 mm
L	68 mm
S	23 mm
Bolt (G)	M20

UCF218 Bearing 2D drawings and 3D CAD models