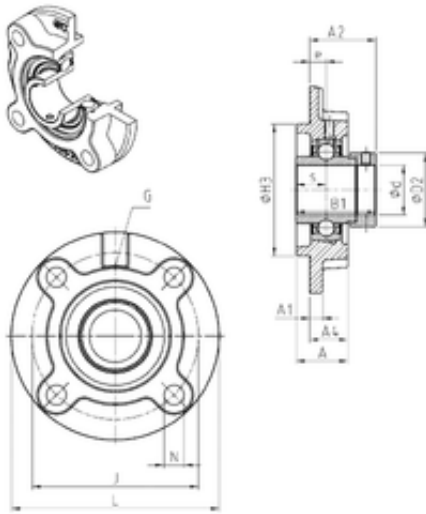




MNT BEARING LTD



SNR EXFC217 Bearing unit

Bearing No. EXFC217

Bore Diameter	85 mm
d	85 mm
H3	180 mm
A4	45 mm
e	18 mm
s	23,4 mm
A	63 mm
A1	20 mm
B1	73,2 mm
D2	119 mm
J	208 mm
L	250 mm
N	23 mm
Thread (G)	M10x1
A2	65,6 mm
Weight	11 Kg
Basic dynamic load rating (C)	83,2 kN

EXFC217 Bearing 2D drawings and 3D CAD models