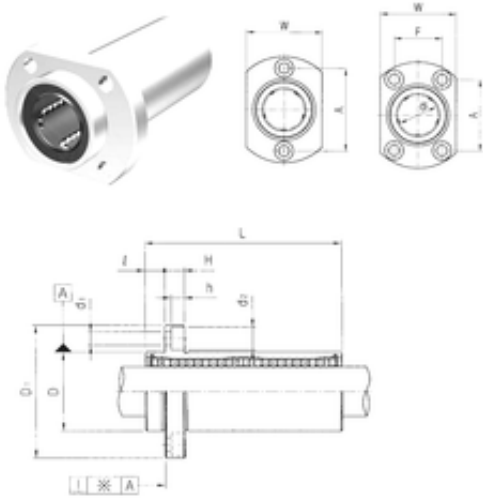




MNT BEARING LTD



LMHP13LUU Bearing 2D drawings and 3D CAD models

Samick LMHP13LUU Linear bearing

Bearing No. LMHP13LUU

Bore Diameter	13 mm
Outer Diameter	23 mm
d	13 mm
D	23 mm
d1	4,5 mm
d2	8 mm
h	4,4 mm
A	33 mm
D1	43 mm
H	6 mm
L	61 mm
W	29 mm
	6 Tolerance h14
Tolerance perpendicularity (C)	15
Weight	0,13 Kg
Basic dynamic load rating (C)	0,81 kN