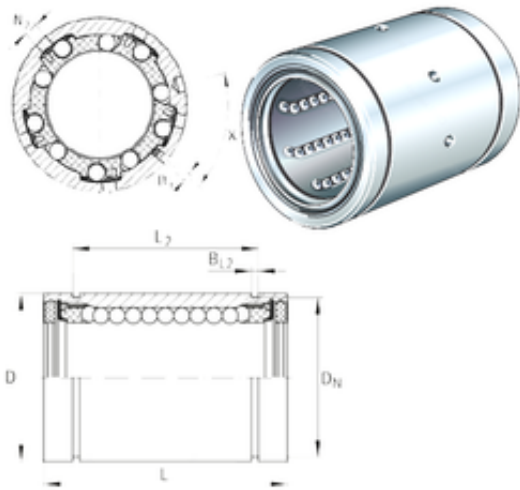




# MNT BEARING LTD



## INA KBS20-PP-AS Linear bearing

Bearing No. KBS20-PP-AS

Bore Diameter	20 mm
Outer Diameter	32 mm
Fw	20 mm
D	32 mm
Dn	30,3 mm
L2	31,2 mm
B3	1 mm
N2	2 mm
L	45 mm
BL2	1,6 mm
Angle (X)	62,5
Weight	0,09 Kg
Basic dynamic load rating (C)	1,66 kN

KBS20-PP-AS Bearing 2D drawings and 3D CAD models