

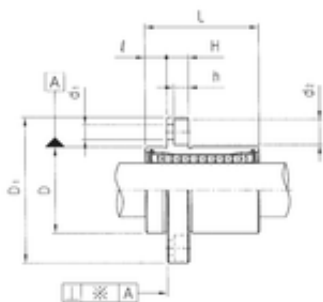


MNT BEARING LTD



Samick LMFP30UU Linear bearing

Bearing No. LMFP30UU



LMFP30UU Bearing 2D drawings and 3D CAD models

Bore Diameter	30 mm
Outer Diameter	45 mm
d	30 mm
D	45 mm
d1	6,6 mm
d2	11 mm
h	6,5 mm
D1	74 mm
H	10 mm
L	64 mm
PCD	60 mm
	10 Tolerance h14
Tolerance perpendicularity (C)	15
Weight	0,46 Kg
Basic dynamic load rating (C)	1,56 kN