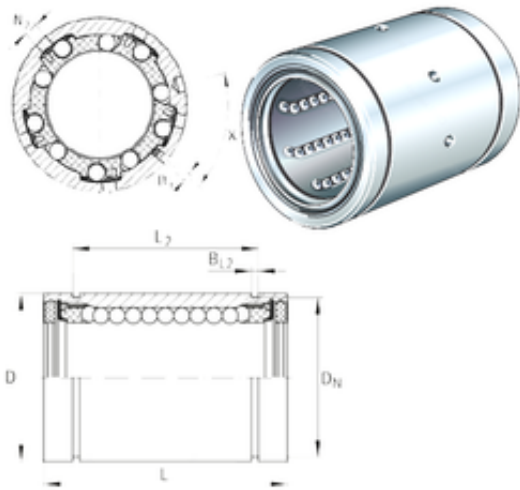




MNT BEARING LTD



INA KBS30-PP-AS Linear bearing

Bearing No. KBS30-PP-AS

Bore Diameter	30 mm
Outer Diameter	47 mm
Fw	30 mm
D	47 mm
Dn	44,5 mm
L2	51,7 mm
B3	1 mm
N2	2,5 mm
L	68 mm
BL2	1,85 mm
Angle (X)	64
Weight	0,3 Kg
Basic dynamic load rating (C)	3,8 kN

KBS30-PP-AS Bearing 2D drawings and 3D CAD models