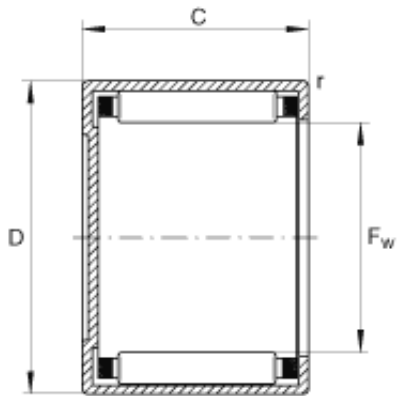




MNT BEARING LTD

INA BCH1818 Needle bearing

Bearing No. BCH1818



BCH1818 Bearing 2D drawings and 3D CAD models

| | |
|----------------|---|
| Size | 28.575x38.1x28.575 mm |
| Bore Diameter | 28,575 mm |
| Outer Diameter | 38,1 mm |
| Width | 28,575 mm |
| F_w | 1 1/8 inch |
| F_w | 28,575 mm |
| D | 1,5 inch |
| D | 38,1 mm |
| C | 1,125 inch |
| C | 28,575 mm |
| m | 0,186 lbs / Weight |
| m | 85 g / Weight |
| C_r | 9100 lbf / Dynamic load rating (radial) |
| C_r | 40500 N / Dynamic load rating (radial) |
| C_{0r} | 14600 lbf / Static load rating (radial) |
| C_{0r} | 65000 N / Static load rating (radial) |
| n_G | 8700 1/min / Limiting speed |