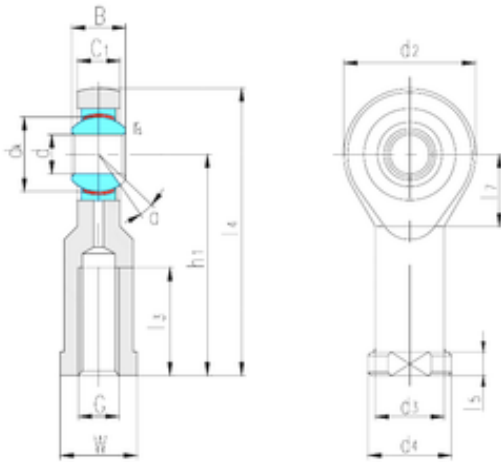




MNT BEARING LTD

LS SIJK5C Plain bearing

Bearing No. SIJK5C



SIJK5C Bearing 2D drawings and 3D CAD models

Bore Diameter	5 mm
d	5 mm
B	8 mm
d2	18 mm
d3	9 mm
d4	12 mm
dk	11,112 mm
h1	27 mm
l3 min.	8 mm
l4 max.	36 mm
l5	4 mm
l7 min.	10 mm
r min.	0,3 mm
C1	7,5 mm
W	10 mm
Thread (G)	M5
Angle	4 °
Weight	0,02 Kg
Basic dynamic load rating (C)	3,6 kN