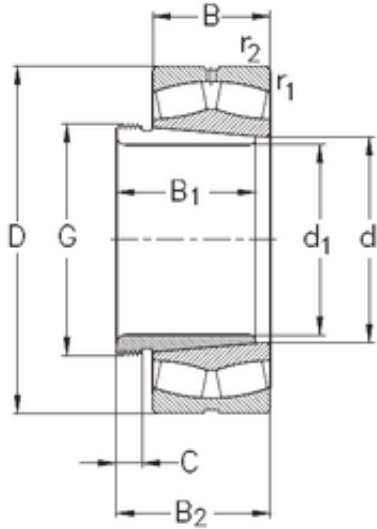




MNT BEARING LTD



360 mm x 600 mm x 243 mm NKE
24172-K30-MB-W33+AH24172 spherical roller bearings

Bearing No. 24172-K30-MB-W33+AH24172

24172-K30-MB-W33+AH24172 Bearing 2D drawings and 3D CAD models

Size	360x600x243 mm
Bore Diameter	360 mm
Outer Diameter	600 mm
Width	243 mm
d	360 mm
d1	340 mm
D	600 mm
B	243 mm
C	243 mm
r1 min.	5 mm
r2 min.	5 mm
B1	269 mm
B2	289 mm
C	26 mm
Thread (G)	Tr 380x5
Weight	337,6 Kg
Basic dynamic load rating (C)	4888 kN
Basic static load rating (C0)	9340 kN
Limiting speed	800 r/min
Calculation factor (e)	0,4
Calculation factor (Y0)	1,64
Calculation factor (Y1)	1,68