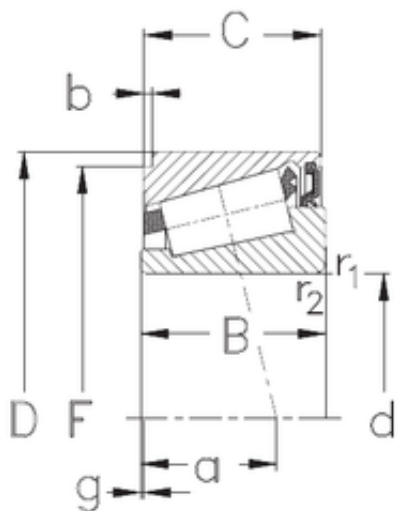




MNT BEARING LTD



40 mm x 68 mm x 21 mm NKE IKOS040 Tapered roller bearings

Bearing No. IKOS040

Size	40x68x21 mm
Bore Diameter	40 mm
Outer Diameter	68 mm
Width	21 mm
d	40 mm
D	68 mm
B	21 mm
C	20,5 mm
a	15,8 mm
b	0,75 mm
r1 min.	1 mm
r2 min.	1 mm
F	64,4 mm
Weight	0,29 Kg
Basic dynamic load rating (C)	54 kN
Basic static load rating (C0)	71 kN
Limiting speed	2700 r/min
Calculation factor (e)	0,37

IKOS040 Bearing 2D drawings and 3D CAD models