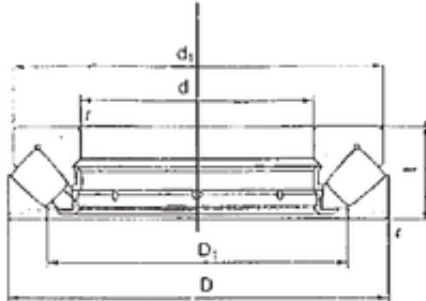




MNT BEARING LTD

FBJ 29318M thrust roller bearings



Bearing No. 29318M

Size	90x155x39 mm
Bore Diameter	90 mm
Outer Diameter	155 mm
Width	39 mm
d	90 mm
D	155 mm
T	39 mm
d1	135,2 mm
r min.	1,5 mm
D1	116 mm
Weight	2,64 Kg
Basic dynamic load rating (C)	355 kN
Basic static load rating (C0)	1100 kN

29318M Bearing 2D drawings and 3D CAD models